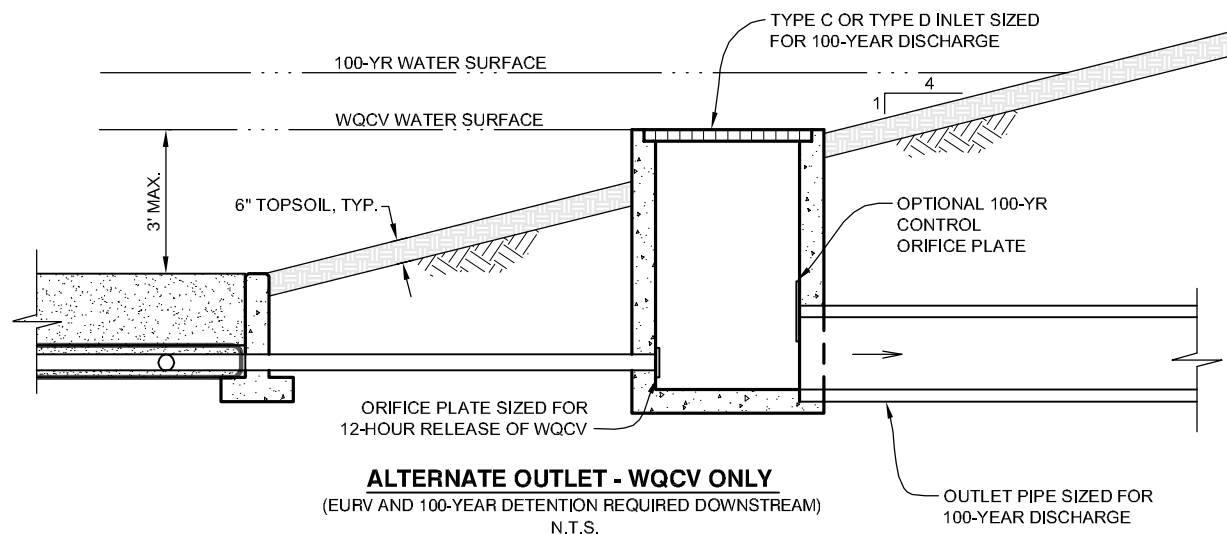
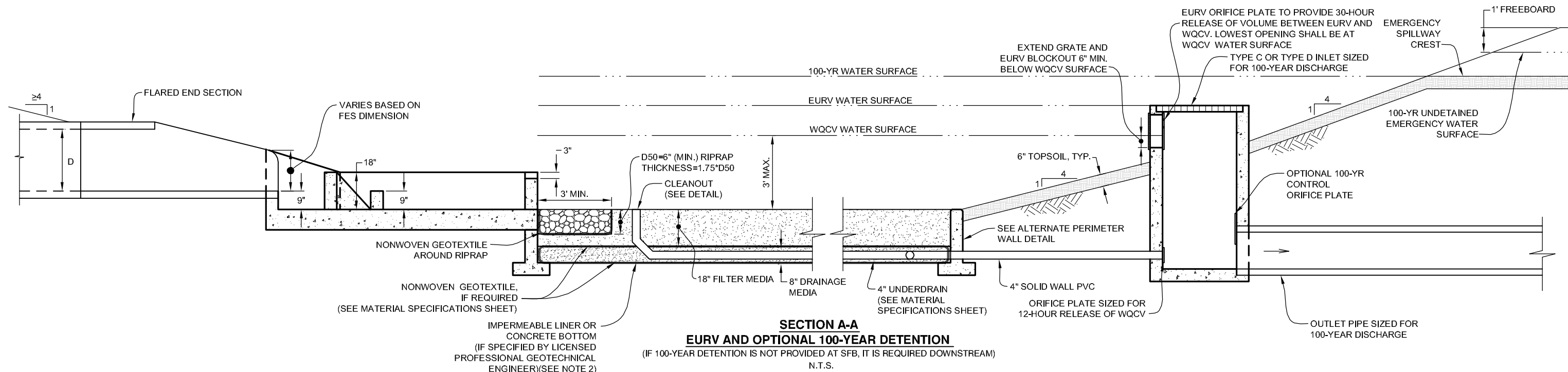


SAND FILTER BASIN - PLAN
N.T.S.

- NOTES:**
- PERIMETER WALL SHALL BE CAST-IN-PLACE REINFORCED CONCRETE, PVC SHEET PILE, OR MASONRY BLOCKS (NO DRY STACK BLOCKS PERMITTED). PERIMETER WALL AND ALL OTHER STRUCTURAL ELEMENTS SHALL BE DESIGNED BY A REGISTERED PROFESSIONAL ENGINEER.
 - MINIMUM AREA OF FILTER MEDIA (IN SF) SHALL BE THE WATER QUALITY CAPTURE VOLUME (IN CF) DIVIDED BY 3.
 - UNDERDRAIN CLEANOUTS SHALL BE PROVIDED AT THE UPSTREAM END, UPSTREAM OF EACH BEND, AND AT A MAXIMUM SPACING OF 100 FEET. SEE SHEET 3 FOR ADDITIONAL UNDERDRAIN DETAILS.
 - IF IMPERMEABLE GEOMEMBRANE LINER IS INSTALLED BELOW DRAINAGE MEDIA, A LAYER OF NONWOVEN GEOTEXTILE SHALL BE PLACED ON EACH SIDE OF LINER. (SEE CONSTRUCTION DRAWINGS FOR ANY LINER REQUIREMENTS.) LINER SHALL BE ATTACHED TO PERIMETER WALL (ALONG WITH GEOTEXTILE) USING FABRIC ATTACHMENT DETAIL. ALL LINER SEAMS SHALL BE WELDED AND CHECKED FOR WATER TIGHTNESS. PVC BOOT SHALL BE USED FOR ALL UNDERDRAIN PENETRATIONS THROUGH LINER. WATER TIGHTNESS OF LINER SHALL NOT BE COMPROMISED DURING CONSTRUCTION OR LANDSCAPING OPERATIONS.
 - NO VEGETATION OR MULCH SHALL BE PLACED IN FILTER MEDIA.
 - AN IRRIGATION SYSTEM SHALL BE PROVIDED FOR SLOPES ABOVE FILTER MEDIA. IRRIGATION HEADS AND LATERALS SHALL BE LOCATED OUTSIDE OF THE FILTER MEDIA.
 - FOREBAY IS REQUIRED FOR ALL SFB'S WITH CONTRIBUTING AREA OF ONE ACRE OR MORE. SEE SHEET 2 FOR FOREBAY DETAILS AND ADDITIONAL NOTES.
 - APPROVED MATERIAL SELECTIONS AND SPECIFICATIONS FOR THE SELECTED BMP ARE LOCATED ON THE BMP SPECIFICATION SHEET.



ALTERNATE OUTLET - WQCV ONLY
(EURV AND 100-YEAR DETENTION REQUIRED DOWNSTREAM)
N.T.S.



SECTION A-A
EURV AND OPTIONAL 100-YEAR DETENTION
(IF 100-YEAR DETENTION IS NOT PROVIDED AT SFB, IT IS REQUIRED DOWNSTREAM)
N.T.S.

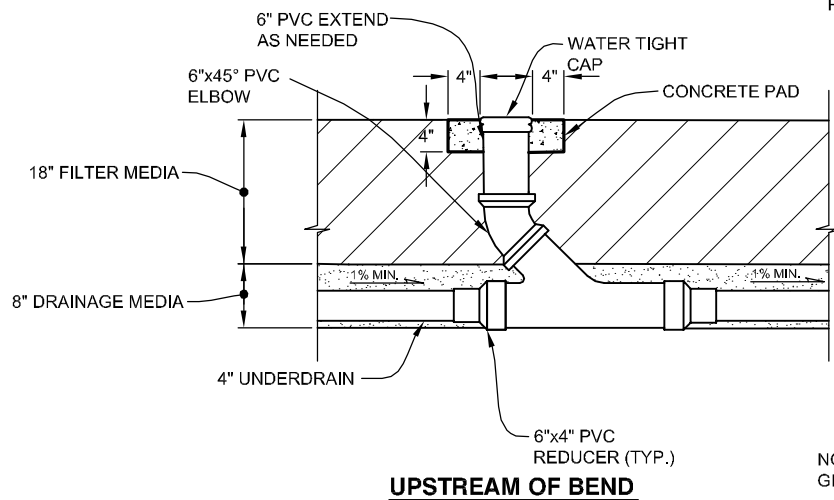
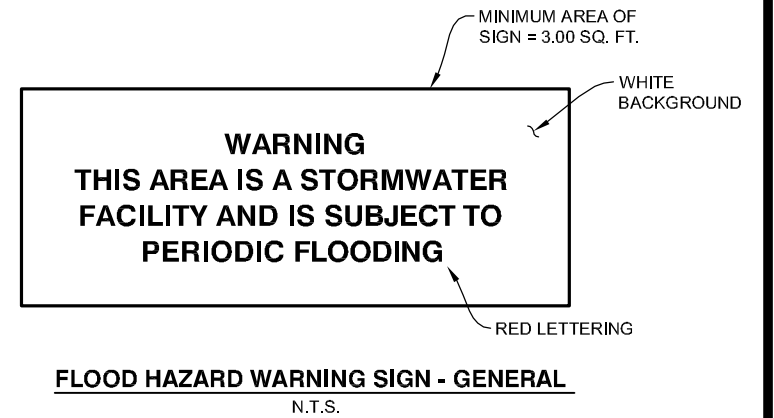
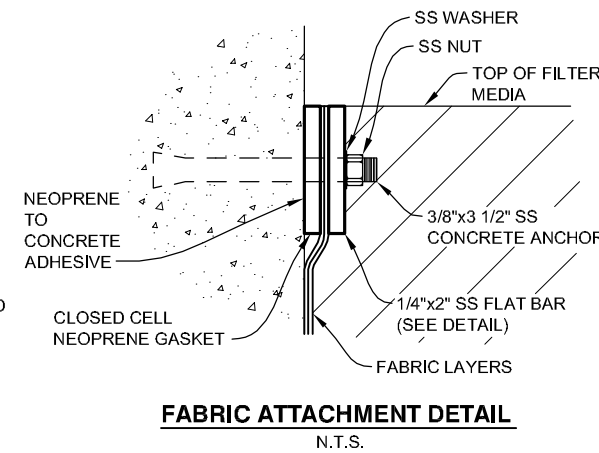
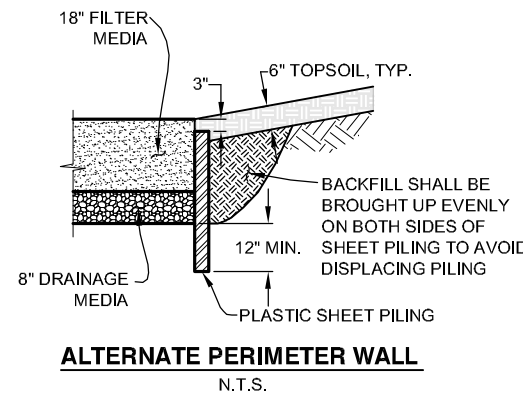
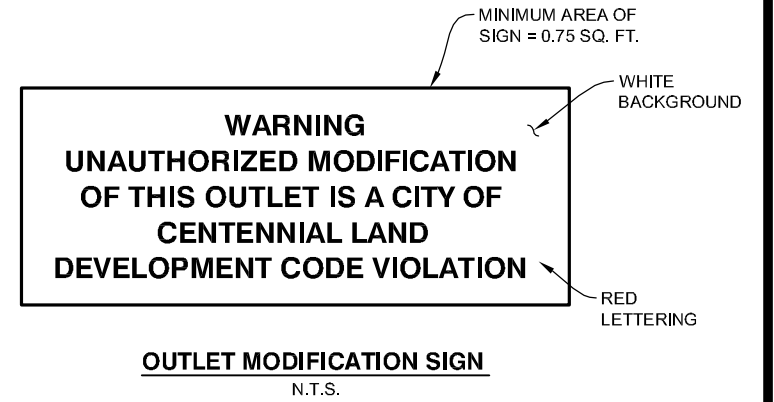
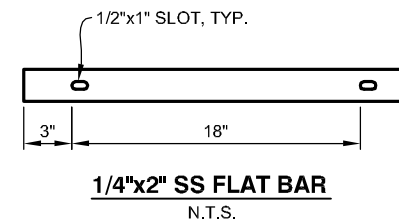
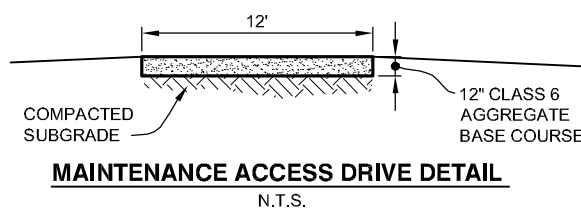
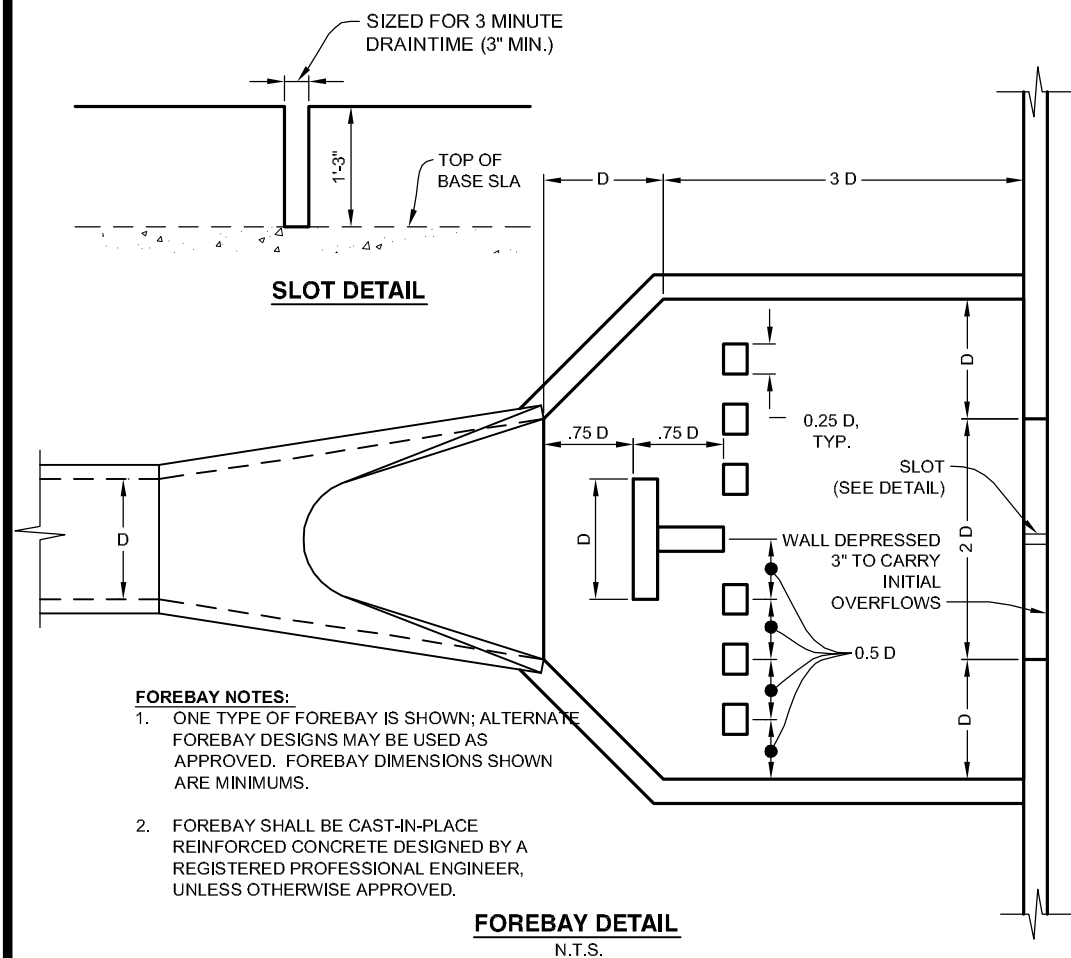
REFERENCE:	SCALE:	Standard Plan Revision	
		No.	Date



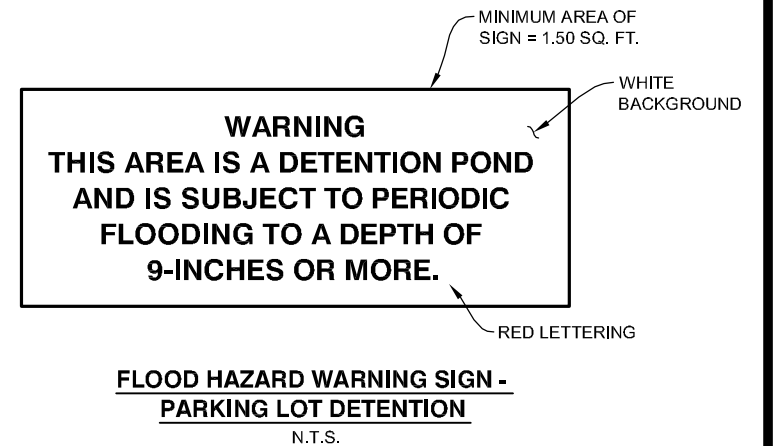
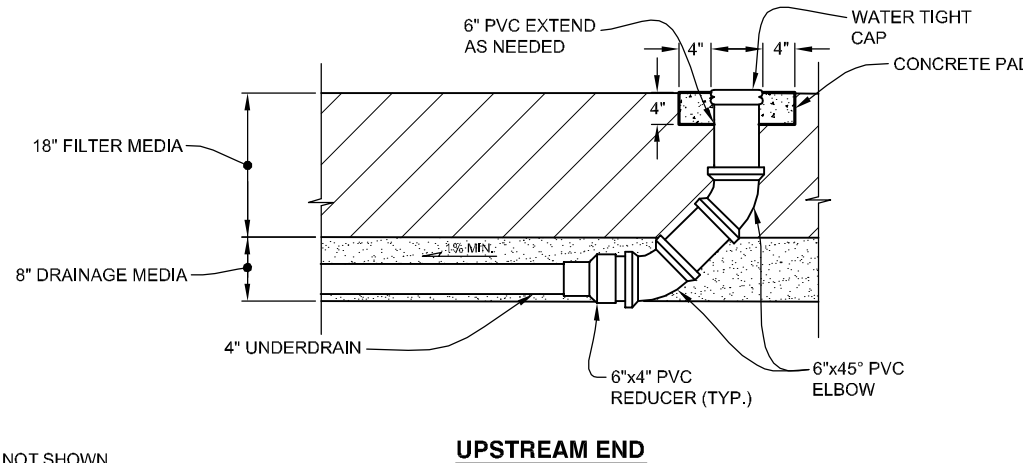
76 INVERNESS DRIVE EAST, SUITE A
ENGLEWOOD CO, 80112
PHONE (303) 858-8844
FAX (303) 267-9565

SAND FILTER BASIN

SHEET
1 OF 2



NOTE:
ALL 90° BENDS IN UNDERDRAIN SHALL BE MADE UP OF TWO 45° BENDS WITH A 1'(MIN) STRAIGHT PIPE IN BETWEEN



SIGNAGE NOTES:
1. OUTLET MODIFICATION SIGN SHALL BE ATTACHED TO OR POSITIONED NEARBY ALL SFB OUTLETS.
2. TWO (2) FLOOD HAZARD WARNING SIGNS SHALL BE PROVIDED IDENTIFYING THE PLD PONDING AREA. THE GENERAL SIGN SHALL BE USED FOR SFB'S IN NON-PARKING LOT AREAS.

UNDERDRAIN CLEANOUT DETAILS
N.T.S.

REFERENCE:	SCALE:	Standard Plan Revision	
		No.	Date



76 INVERNESS DRIVE EAST, SUITE A
ENGLEWOOD CO, 80112
PHONE (303) 858-8844
FAX (303) 267-9565

SAND FILTER BASIN

SHEET
2 OF 2