

NAME: P:\09\0103\2009 Task Orders\SEMSWATask 4 EDB\Detail\BMP DETAILS_1241108\0134EDB2_Example 1.dwg DATE: JAN 08 2012 TIME: 10:04 AM

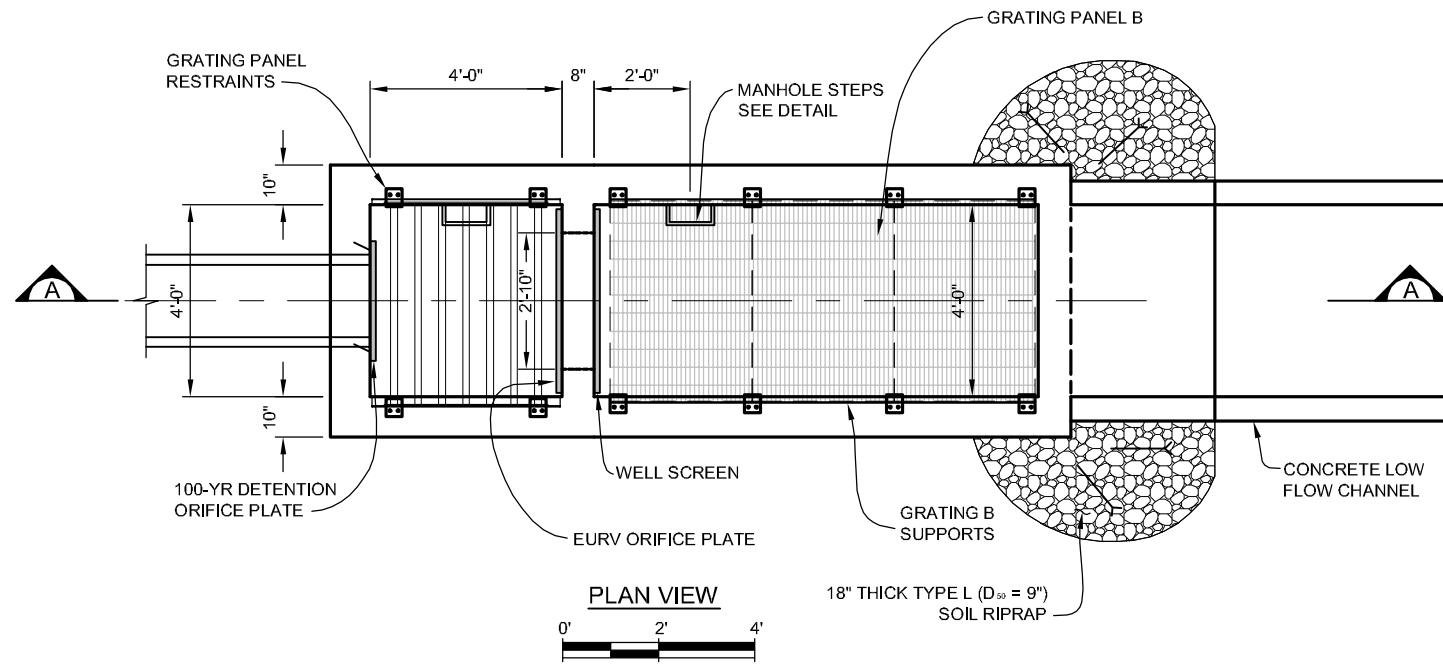
REFERENCE:	SCALE:	Standard Plan Revision	
		No.	Date



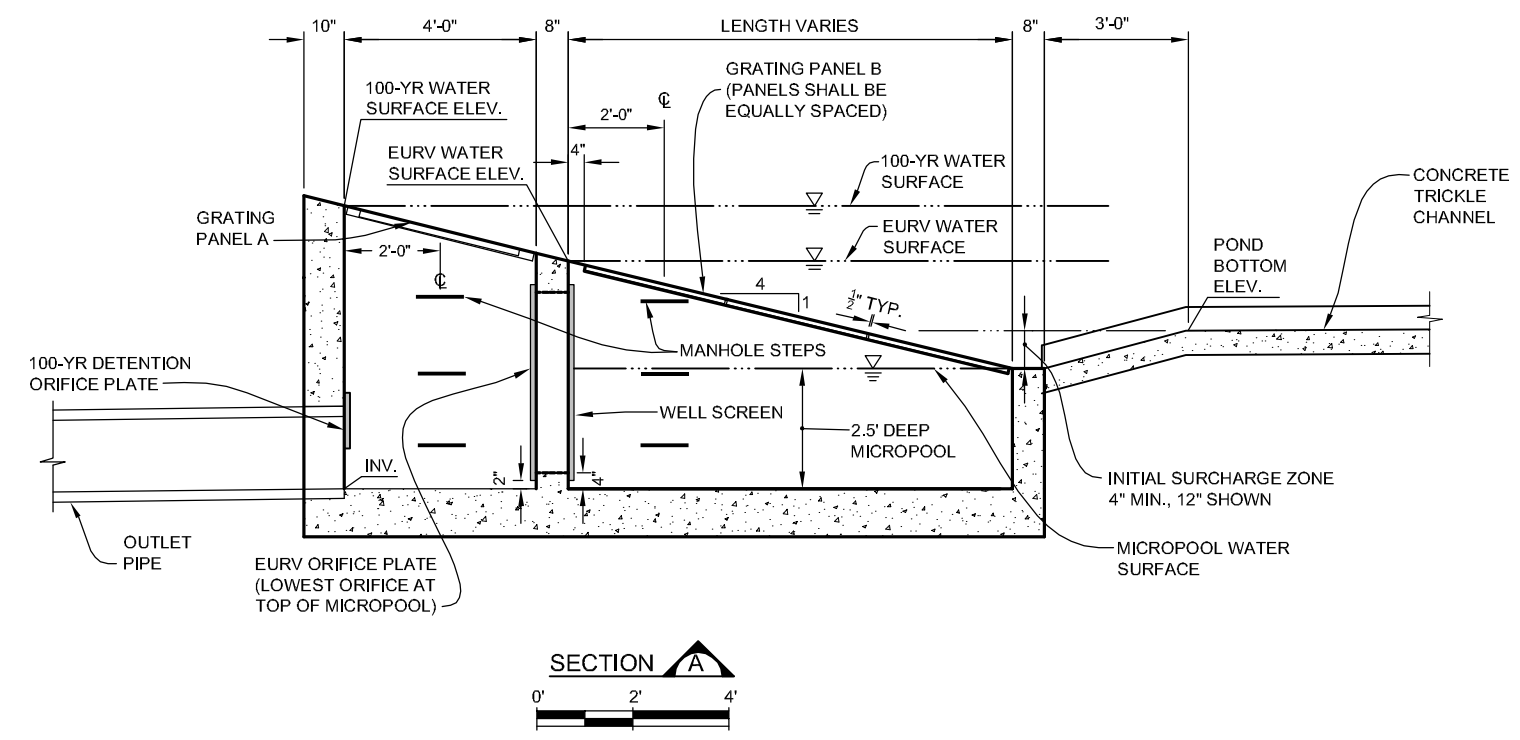
76 INVERNESS DRIVE EAST, SUITE A
 ENGLEWOOD CO, 80112
 PHONE (303) 858-8844
 FAX (303) 267-9565

EXAMPLE PLAN 1
**MODIFIED EXTENDED
 DETENTION BASIN**

SHEET
 1 OF 3



- NOTES TO DESIGNERS:**
1. EXTENDED DETENTION BASIN MAY PROVIDE WQCV AND FULL-SPECTRUM DETENTION (EURV AND 100-YEAR) IN A SINGLE FACILITY, OR THESE MAY BE SPLIT BETWEEN SEPARATE FACILITIES AS SHOWN IN FIGURE 13-5 OF THE STORMWATER MANAGEMENT MANUAL.
 2. SIZING OF FOREBAY, INITIAL SURCHARGE ZONE, MICROPOOL, OUTLET, AND SPILLWAY SHALL BE IN ACCORDANCE WITH STORMWATER MANAGEMENT MANUAL.
 3. HANDRAIL IS RECOMMENDED FOR USE ADJACENT TO COARSE GRATING AND/OR WHERE PEDESTRIAN TRAFFIC IS IN CLOSE PROXIMITY TO THE OUTLET STRUCTURE. IT IS THE RESPONSIBILITY OF THE DESIGN ENGINEER TO DETERMINE WHETHER HANDRAIL IS TO BE USED.
 4. WELL SCREEN MAY BE OMITTED IF CONTROL ORIFICES ARE 2.5 INCHES IN DIAMETER OR 2 INCHES SQUARE OR GREATER (IN THIS CASE, FABRICATED BAR GRATING PROVIDES DEBRIS PROTECTION).
 5. IT IS THE RESPONSIBILITY OF THE DESIGN ENGINEER TO SIZE, DESIGN, AND DETAIL ALL EDB STRUCTURES, INCLUDING REINFORCING STEEL GRATING, ORIFICE PLATE, WELLSCREEN, AND ALL METAL WORK CONNECTIONS.
 6. EXISTING PIPE MAY BE RAISED IF NEEDED TO ACCOMMODATE EXISTING TIE IN ELEVATION. MAXIMUM ELEVATION OF PIPE INVERT SHALL NOT EXCEED MICROPOOL WATER SURFACE ELEVATION.



NAME: P:\09\01\03\2009 Task Orders_SEWSWATask 4 EDB_Detail\CAD\09013-EDB-2_Example1.dwg DATE: APR 20, 2011, TIME: 4:44 PM

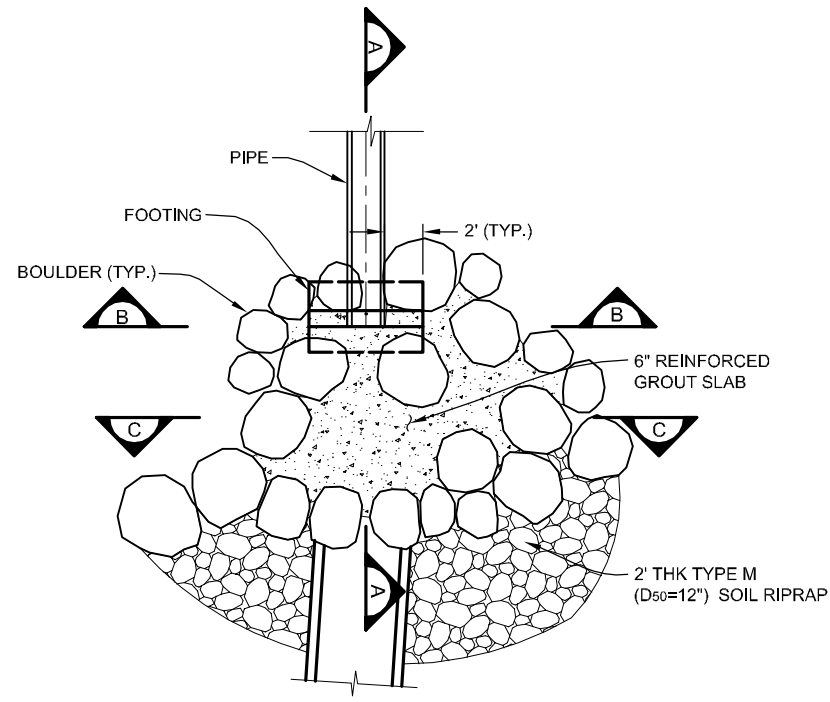
REFERENCE:	SCALE:	Standard Plan Revision	
		No.	Date



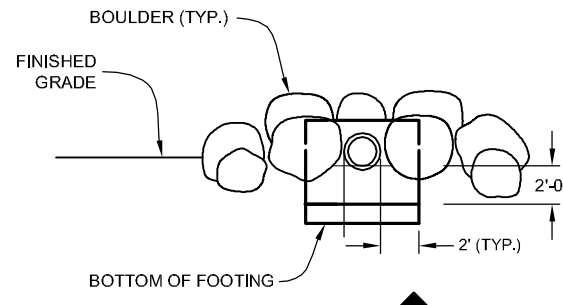
76 INVERNESS DRIVE EAST, SUITE A
 ENGLEWOOD CO, 80112
 PHONE (303) 858-8844
 FAX (303) 267-9565

EXAMPLE PLAN 1
**MODIFIED EXTENDED
 DETENTION BASIN**

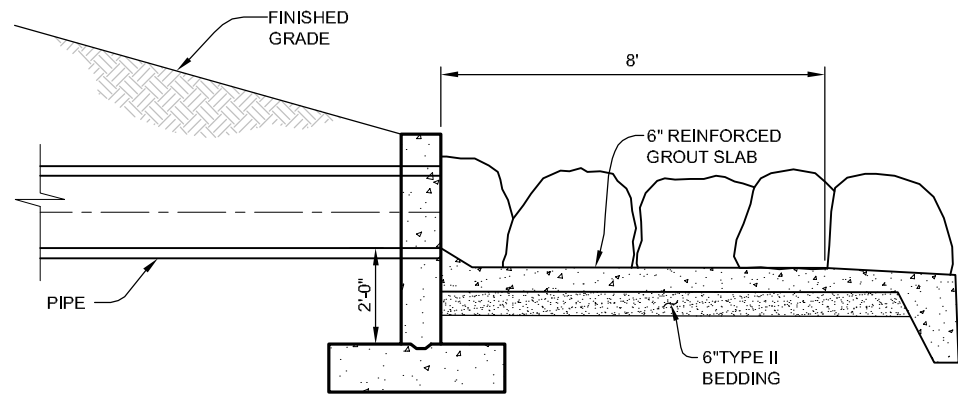
SHEET
 2 OF 3



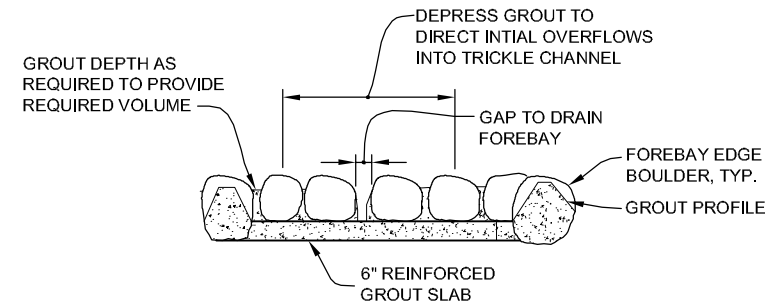
PIPE OUTLET PLAN (TYP.)
SCALE: 1" = 10'



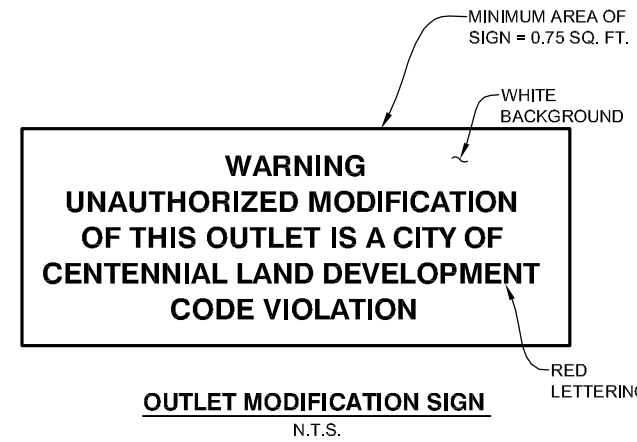
SECTION B
SCALE: 1" = 10'



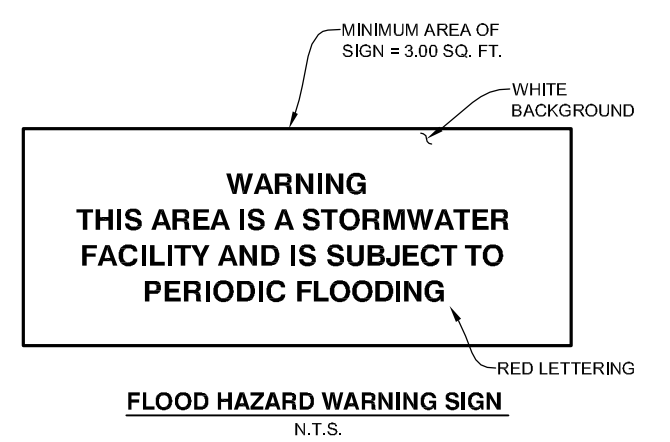
SECTION A
SCALE: 1" = 4'



SECTION C
SCALE: 1" = 10'-0"



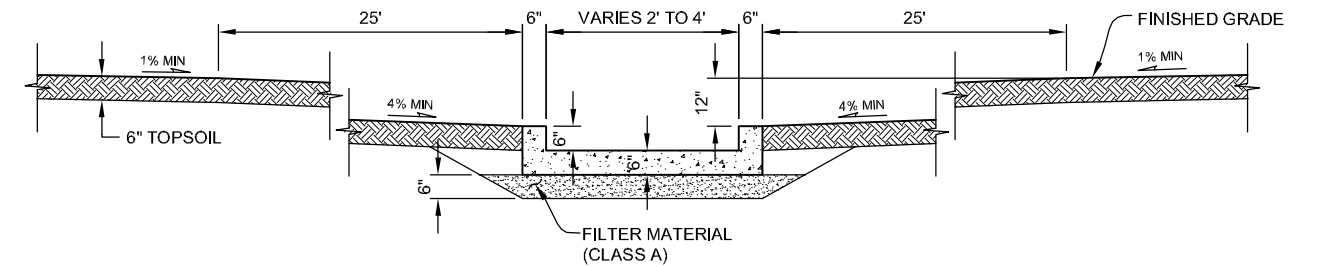
OUTLET MODIFICATION SIGN
N.T.S.



FLOOD HAZARD WARNING SIGN
N.T.S.

SIGNAGE NOTES:

1. OUTLET MODIFICATION SIGN SHALL BE ATTACHED TO OR POSITIONED NEARBY ALL EDB OUTLETS.
2. TWO (2) FLOOD HAZARD WARNING SIGNS SHALL BE PROVIDED AROUND THE PERIMETER OF THE POND.



LOW FLOW CHANNEL DETAIL
SCALE: 1" = 4'-0"

NAME: P:\09\01\03\2009 Task Orders_SEWSWATask 4 EDB_Detail\CAD\09013-EDB-2_Example1.dwg DATE: APR 20, 2011 TIME: 6:08 PM

REFERENCE:	SCALE:	Standard Plan Revision	
		No.	Date



76 INVERNESS DRIVE EAST, SUITE A
ENGLEWOOD CO, 80112
PHONE (303) 858-8844
FAX (303) 267-9565

EXAMPLE PLAN 1
**MODIFIED EXTENDED
DETENTION BASIN**

SHEET
3 OF 3